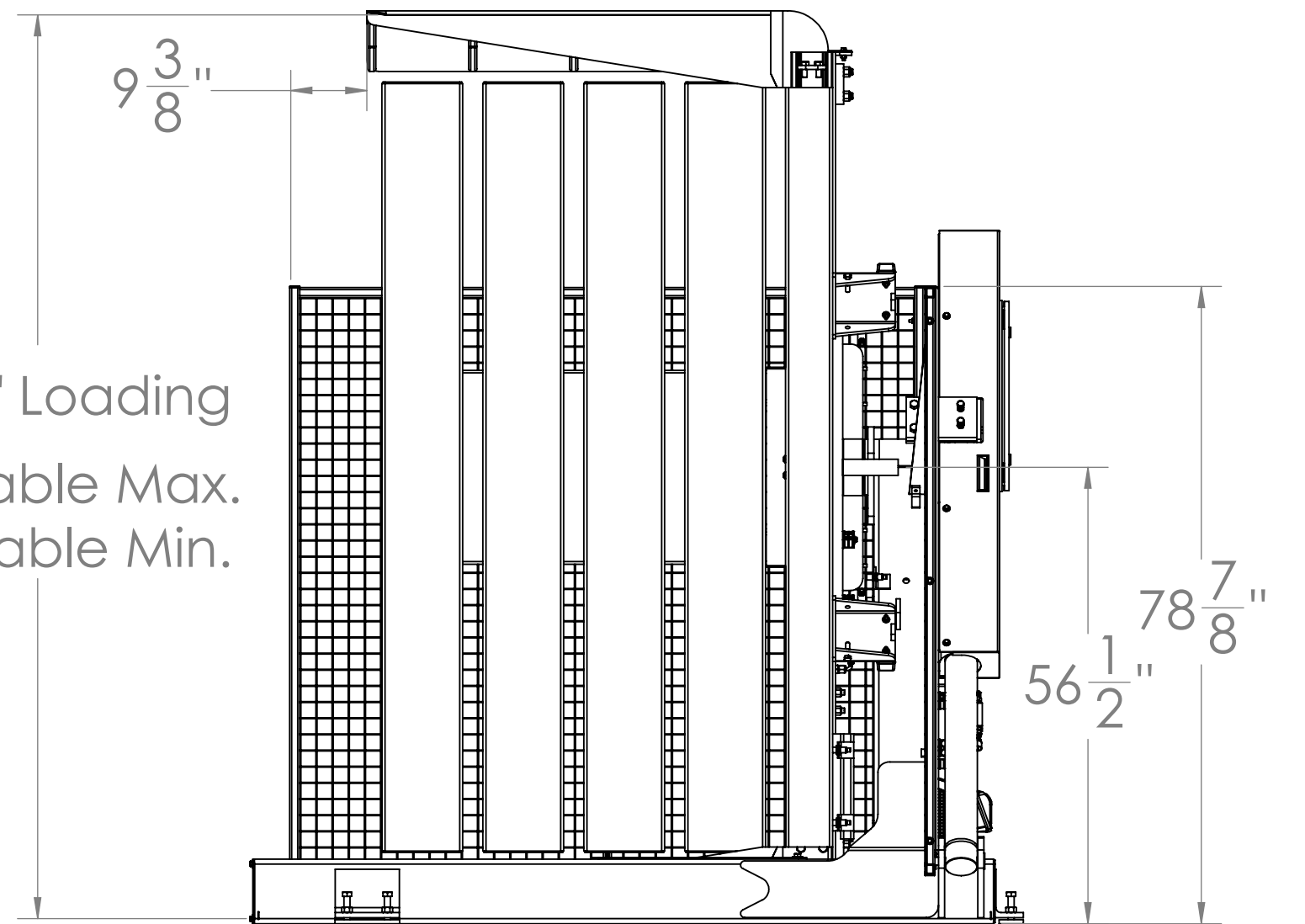


111 7/8" Loading
94" Usable Max.
45" Usable Min.



Approval Print
Cherry's Industrial Equipment

Date Sent: _____

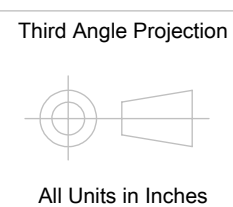
- APPROVED. PROCEED WITH FABRICATION
- APPROVED AS NOTED. PROCEED WITH FABRICATION. FURNISH REVISED PRINTS
- REVISE AS NOTED. RE-SUBMIT FOR APPROVAL. DO NOT FABRICATE.

VOLTAGE OPTIONS
(Not all options are applicable for all machines)

<input type="checkbox"/> 110V 1 Phase	(LDD/LDI/LDT)
<input type="checkbox"/> 220V 1 Phase	(DC/GL/LDI/PC/PSR/SC)
<input type="checkbox"/> 230V 3 Phase	(ALL)
<input type="checkbox"/> 460V 3 Phase	(ALL)
<input type="checkbox"/> 575V 3 Phase	(ALL)

Tolerances Unless Otherwise Specified
Decimals: 0.X = +/- 0.1 Angle: +/- 1
 0.XX = +/- 0.01 Fraction: +/- 1/4
 0.XXX = +/- 0.005

This drawing is confidential and is supplied on the express condition that it is not copied or communicated to other persons or companies.
Do not scale - If in doubt, ask
Please inform if modifications are made during manufacture



#	Date	By
Notes		
Drawing Revisions		

GL-94P Ground Load Inverter
High Style Guarding

CHERRY'S Industrial Equipment®

68 Congress Circle West • Roselle, IL 60172
SALES: 800.350.0011 • SERVICE: 877.350.2748

Date:	02/07/2025
Drawn By:	RJL
Checked By:	RJL
Material:	PCS
Weight:	6300 Lbs.
Drawing #:	GL-94-HSG